

MULHOLLAND POSITIONING SYSTEMS, INC.

839 ALBION AVE, P.O. BOX 70

BURLEY, ID 83318

PH: (208) 878-3840

(800) 543-4769

FAX: (208) 878-3841

Email: customerservice@mulhollandinc.com

Effective: May 4, 2011

ADAPTIVE PARTS ORDER FORM

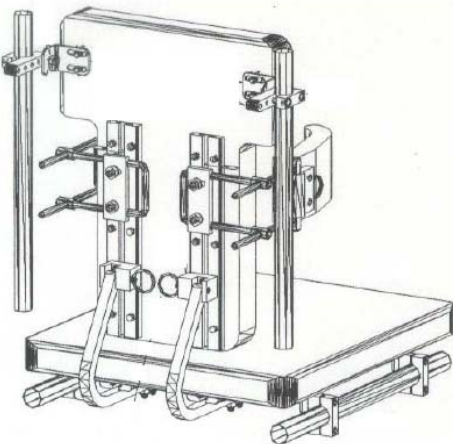
PART NUMBER	DESCRIPTION	PRICE
-------------	-------------	-------

FABRIC	Naugahyde Vinyl Laminate Nylon Pack Cloth Darlex	
Colors:	Black Red Grey Royal Blue Purple Navy Blue Teal Burgundy	

104100	PLANAR SEAT INSERT w/o mounting brackets. (made w/ 1/2" plywood & zipper closed covers) SPECIFY: width x length x foam type & th'k, fabric, and cutouts.	321.00
--------	---	--------

1041050	PLANAR BACK INSERT w/o mounting brackets (made w/ 1/2" plywood) SPECIFY: height x width x foam type & th'k, fabric, and cutouts.	321.00
---------	---	--------

SEAT & BACK HANGERS



1050140	SEAT/BACK HANGER ASSY: For straight black w/o cutouts. Mtg studs go thru frame. (CRASH TESTED)	293.00
---------	--	--------

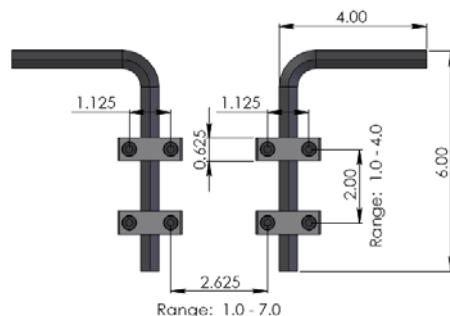
1050141	SEAT/BACK HANGER ASSY: For Tee Backs, uses detachable hinge. (CRASH TESTED)	293.00
---------	--	--------

901-390_	"T" SLOTTED, HEAVY DUTY, ANCHOR TRACK, Black Anodized. Available 8" to 22", 2" increments, Includes fasteners.	4.00/in
----------	--	---------

**SHOULDER PAD ASSEMBLIES for solid back mounting,
All fasteners included.**

INDEPENDENT MTG (Dbl "L" Bars), Axial Swing

901-1041462	3.5x3x11 Sh Pads: all sizes	665.00
901-1041472	4x3.5x11	
901-1041482	5x3.5x11	
901-1041491	6x3.5x11	



	PART NUMBER	DESCRIPTION	PRICE
	901-1041462D 901-1041472D 901-1041482D 901-1041483D 901-1041491D 901-1041492D	INDEPENDENT MTG (Dbl, angled bars), Diagonal Swing 3.5x3x11 4x3.5x11 All Sizes 5x3.5x11 5x3.5x14 6x3.5x11 6x3.5x14	665.00
	901-1041150 901-1041151 901-1041152 901-1041153 901-1041154	SGL POST NR & AXIAL-SWING SH PAD ASSY 1.75x4 NR/ 3x2.5x9 SP All Sizes 1.75x11 NR/3.5x3x10 SP 2x13 NR/4x3.5x11 SP 2.5x14.75 NR/5x3.5x11 SP 2.5x14.75 NR/6x3.5x11 SP	781.00
	901-1001371 901-1001372 901-1001373 901-1001374	SGL POST NR PAD ASSY (separate) Sgl bar 11 x 1.75 Sgl bar 11 x 2 Sgl bar 11 x 2.5 Sgl bar 11 x 3	171.00
	901-1041151D 901-1041152D 901-1041153D 901-1044454D	SGL POST NR & DIAGONAL-SWING SP ASSY 1.75x11 NR/3.5x3x10 SP All Sizes 2x13 NR/4x3.5x11 SP 2.5x14.75 NR/5x3.5x11 SP 2.5x14.75 NR/6x3.5x11 SP	781.00
	901-1042150 901-1042151 901-1042152 901-1042153 901-1042154	DBL POST NR & AXIAL-SWING SH PAD ASSY 1.75x11 NR/3x2.5x9 SP All Sizes 1.75x11 NR/3.5x3x10 SP 2x13 NR/1x3.5x11 SP 2.5x14.75 NR/5x3.5x11 SP 2.5x14.75 NR/6x3.5x11 SP	781.00
	901-1001541 901-1001542 901-1001550	FLIP-UP HALO (single post only) 1.5x28" Pad 2.0x34" Pad Adj. head support pads (Spec size)	440.00
	901-1001510 901-1001520	FLEXIBLE BAND HALO (double post only) 1.5x28" Pad 2.0x34" Pad	440.00



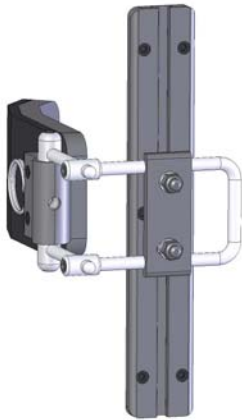
**PART
NUMBER**

DESCRIPTION

PRICE

901-1041161
901-1041162
901-1041163

**COMPOUND HEAD/NECK/SHOULDER SUPPORT,
SGL POST MTG (spec neckrest or head rest pad)**
Size #1, Small All sizes 781.00
Size #2, Medium
Size #3, Large

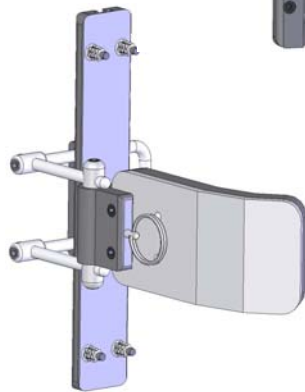


PIVOTING THORACIC SUPPORT PADS

**FRONT RELEASE, ABS CURVED PADS, DEPTH
ADJUSTABLE, REQUIRES "T" BACK:
(comes w/10" mtg track, other sizes available)**

901-1042125
901-1042130
901-1042135
901-1042140
901-1042145

2.5Cx6.5 All sizes/pr 625.00
3.0Cx6.5
3.5Cx7.0
4.0Cx7.5
4.5Cx8.0



SAME AS ABOVE WITH .25" ALUM PAD BACKING

901-1042135-AL
901-1042140-AL
901-1042146-AL
901-1042146-AL

3.5Cx7.0 All sizes/pr 710.00
4.0Cx7.5
4.5Cx8.0
5.0Cx8.0



**SIDE RELEASE, ABS CURVED PADS, REQUIRES
RECTANGULAR BACK: comes w/10" mtg track, other
lengths available. Pad offset from back edge & back
thickness MUST be specified.**

901-1042305
901-1042310
901-1042320
901-1042330
901-1042340

2.5Cx6.5 All sizes/pr 625.00
3.0Cx6.5
3.5Cx7.0
4.0Cx7.5
4.5Cx8.0



SAME AS ABOVE WITH .25" ALUM PAD BACKING

901-1042320-AL
901-1042330-AL
901-1042340-AL
901-1042350-AL

3.5Cx7.0 All sizes/pr 710.00
4.0Cx7.5
4.5Cx8.0
5.0Cx8.0

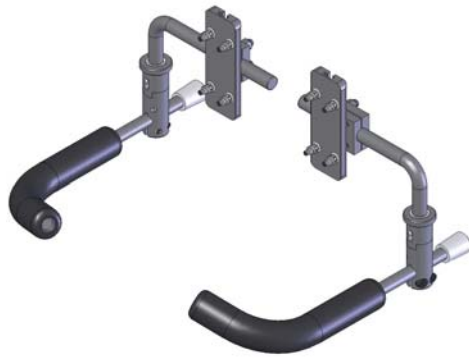
REPLACEMENT PADS

901-387-SIZE, SHAPE, NO. HOLES, MAT'L

SIZE: 2.5 to 5.0: BY 0.5" INCREMENTS
SHAPE: **C** for curved, **S** for straight
NO. HOLES: **2** in front release, **4** in side release
MATERIAL: **P** for .25" ABS, **A** for aluminum

EXAMPLE:

901-387-3.5C2A
Price/pr with aluminum backing, all sizes 370.00
Price/pr with ABS backing, all sizes 169.00



**PART
NUMBER**

DESCRIPTION

PRICE

**PELVIC POSITIONERS, DIAGONAL SWING
(comes w/4.5" . Requires "T" back.)**

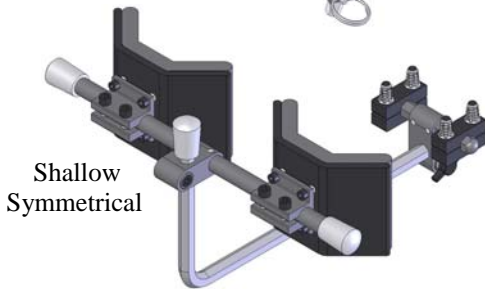
901-1056005	Standard Size	665.00
901-1041747	For children with hips less than 7" wide.	665.00
901-1041749	For persons with hips wider than 7".	665.00



SWING-DOWN ABDUCTOR PAD ASSY

Specify cushion thickness if greater than 1.50".

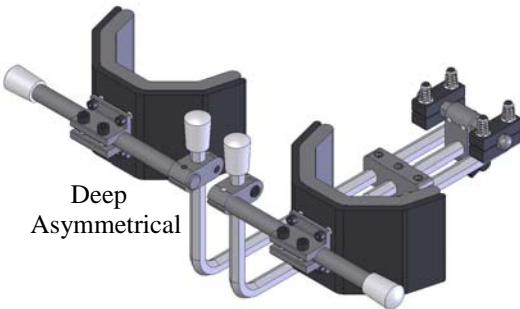
901-1041921	3.5x0.5x6" Pad	All Sizes	450.00
901-1041931	4.0x0.5x6.5" Pad		
901-1041951	5.0x0.5x8" Pad		
901-1041961	5.0x1.0x8" Pad		



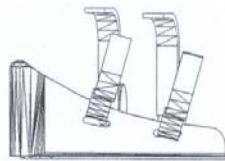
Shallow
Symmetrical

KNEE BLOCK ASSEMBLY

901-1041621	Shallow Knee Blocks (symmetrical)	530.00
901-1041622	Deep Knee Blocks (symmetrical)	
901-1041631	Shallow Knee Blocks (asymmetrical for leg length discrepancy)	649.00
901-1041632	Deep Knee Blocks (asymmetrical for leg length discrepancy)	649.00

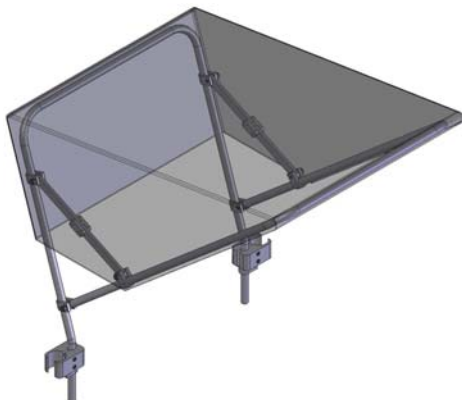


Deep
Asymmetrical



**MOLDED 0.25" ABS SHOEHOLDERS WITH
PADDED STRAPS & CURVED SNAP BUCKLES
(Fasteners supplied. Ask for bulk purchase prices.)**

901-1000610	SMALL: 6.4" lg x 3.9" wide	121.00/pr
901-1000620	MEDIUM: 8.1" lg x 4.0" wide	153.00
901-1000630	LARGE: 9.6" lg x 4.0" wide	163.00
901-1000640	X-LARGE: 10.6" lg x 5.0" wide	163.00



SUN-RAIN CANOPYS

(specify cane size & color)

901-1041201	FOR 12" W/C	All Sizes	435.00
901-1041202	FOR 14" W/C		
901-1041203	FOR 15" W/C		
901-1041204	FOR 16" W/C		